

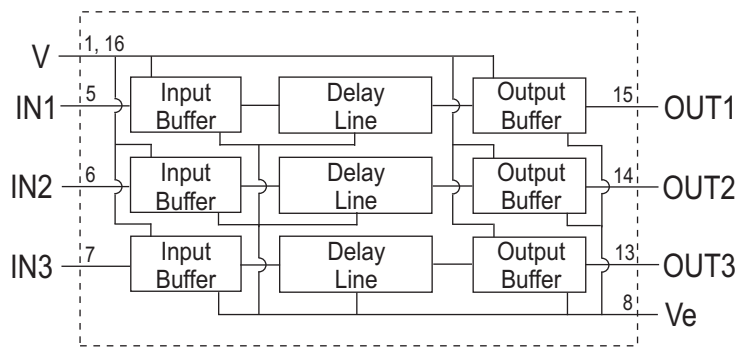
Multiple 10K ECL Logic Delay Line

The Multiple 10K ECL Logic Delay Lines manufactured by Engineered Components Company are designed to provide an output waveform that reproduces the input waveform after a set amount of delay time has elapsed. These delay lines are non-inverting. The delay times are calibrated to the listed tolerances on the rising edge delays. Each module consists of 3 separate delay lines, each isolated and individually buffered.

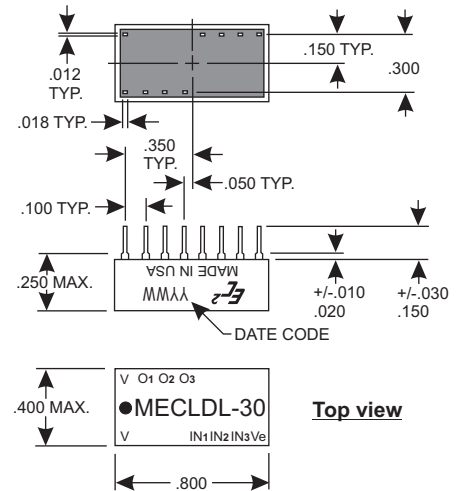
The MTBF on these modules, when calculated per MIL-HDBK-217, for a 50 deg.C ground fixed environment and with 50VDC applied, is in excess of 1.5 million hours. The temperature coefficient of delay is less than 500 ppm/deg.C over the operating temperature range of -30 to +85 deg. C.

The module is provided in a 16-pin DIP package, fully encapsulated in epoxy resin and is housed in a Diallyl Phthalate case, blue in color. The case marking is applied by silkscreen using white epoxy paint. The 9 copper leads are tin-lead plated and meet the solderability requirements of MIL-STD-202, Method 208.

BLOCK DIAGRAM



MECHANICAL DIAGRAM



Product Selection Table

Part Number	Output Delay and Tolerance (in ns)
MECLDL-5	5.0+/-1.0
MECLDL-6	6.0+/-1.0
MECLDL-7	7.0+/-1.0
MECLDL-8	8.0+/-1.0
MECLDL-9	9.0+/-1.0
MECLDL-10	10.0+/-1.0
MECLDL-11	11.0+/-1.0
MECLDL-12	12.0+/-1.0
MECLDL-13	13.0+/-1.0
MECLDL-14	14.0+/-1.0
MECLDL-15	15.0+/-1.0
MECLDL-16	16.0+/-1.0
MECLDL-17	17.0+/-1.0
MECLDL-18	18.0+/-1.0
MECLDL-19	19.0+/-1.0
MECLDL-20	20.0+/-1.0
MECLDL-21	21.0+/-1.0
MECLDL-22	22.0+/-1.0

Product Selection Table (Cont.)

Part Number	Output Delay and Tolerance (in ns)
MECLDL-23	23.0+/-1.0
MECLDL-24	24.0+/-1.0
MECLDL-25	25.0+/-1.0
MECLDL-30	30.0+/-1.5
MECLDL-35	35.0+/-1.5
MECLDL-40	40.0+/-1.5
MECLDL-45	45.0+/-2.0
MECLDL-50	50.0+/-2.0
MECLDL-55	55.0+/-2.0
MECLDL-60	60.0+/-2.0
MECLDL-65	65.0+/-2.5
MECLDL-70	70.0+/-2.5
MECLDL-75	75.0+/-2.5
MECLDL-80	80.0+/-2.5
MECLDL-85	85.0+/-3.0
MECLDL-90	90.0+/-3.0
MECLDL-95	95.0+/-3.0
MECLDL-100	100.0+/-3.0

Operating Specifications:

All measurements made at 25 deg. C
 All measurements made with Vee = -5.2VDC, Vcc = 0VDC
 All measurements made with (1) 10K ECL output load
 All measurements made with a 100 ohm pulldown resistor to -2VDC at the input and output

Operating Temperature: -30 to +85 deg. C
 Storage Temperature: -55 to +125 deg. C

Vcc Supply Voltage: -5.2 +/-5% VDC
 Vee Supply Current: 90mA typical

Logic "High" Input:

Voltage: -.98VDC min.
 Current: 265uA max.

Logic "Low" Input:

Voltage: -1.63VDC max.
 Current: 0.5uA min.

Logic "High" Voltage Out: -0.96VDC min.

Logic "Low" Voltage Out: -1.65VDC max.

Special modules can often be manufactured to provide for customer specific applications.



engineered components company

A Division of Cornucopia Tool & Plastics, Inc. PO Box 1915, 448 Sherwood Rd., Paso Robles CA 93447

Phone: 805-369-0034

Fax: 805-369-0033

Web: www.ec2.com